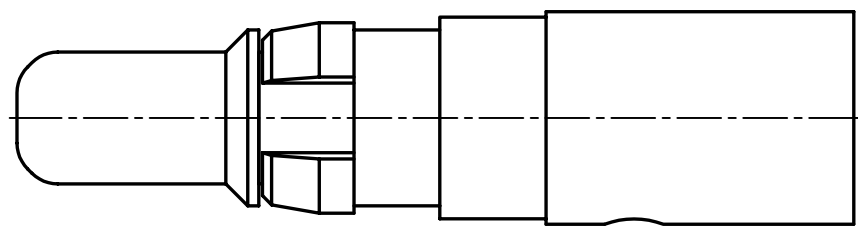
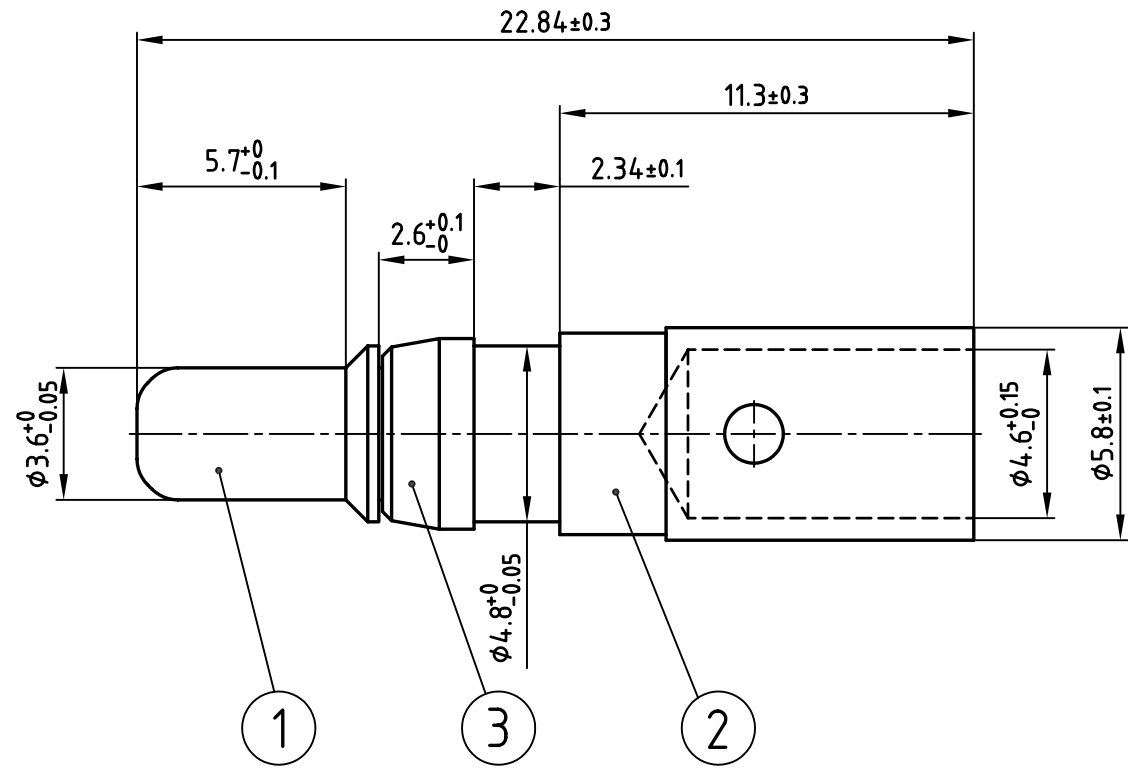


used for: D-SUB COMBINATION



**NOTES:**

- 1. MATERIAL: COPPER ALLOY
- 2. PLATING:
  - ITEM 1: SEE TABLE
  - ITEM 2: min. 8µ" HARD GOLD OVER min. 50µ" NICKEL
  - ITEM 3: NICKEL PLATED

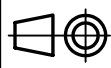
PLATING ITEM 1	PART-NO.
30µ" HARD GOLD OVER min. 50µ" NICKEL	131C11049X
50µ" HARD GOLD OVER min. 50µ" NICKEL	131J11049X



THIS DRAWING MAY NOT BE COPIED OR REPRODUCED IN ANY WAY, AND MAY NOT BE PASSED ON TO A THIRD PARTY WITHOUT WRITTEN PERMISSION.  
 OWNERSHIP AND COPYRIGHT OF CONEC GmbH  
 DO NOT ALTER CAD DRAWING BY HAND

rev.	description	date	name

tolerance  
ISO 2768-m



1998	date	name
drawn	23.03.	Barcinski
appd.	23.03.	Mickenbecker
norm		
d-old		



scale:	5:1
material:	SEE NOTES
title:	<b>HIGH POWER CONTACT MALE</b> CRIMP VERSION 40A D-SUB COMBINATION
dwg no:	CAD/ REL.14
product no:	SEE TABLE

DIN-A  
4  
sh: 1/1